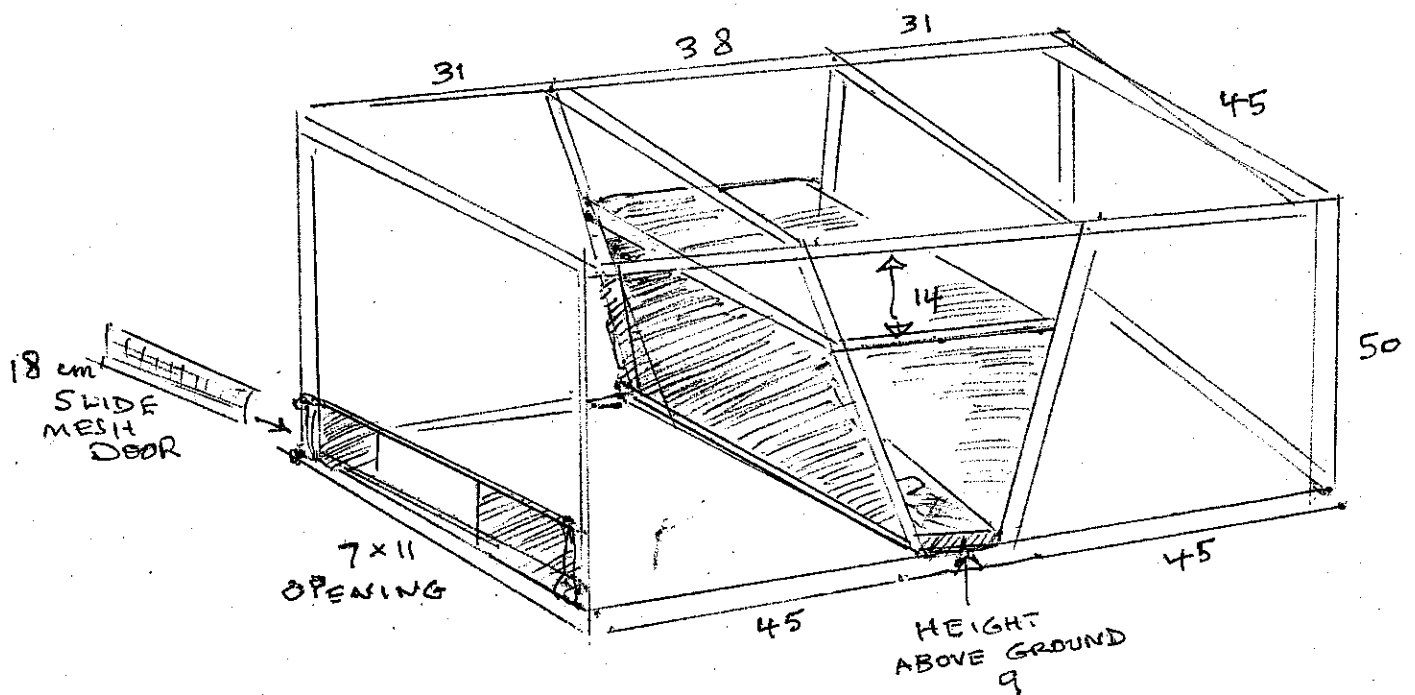


GLENLOCHY SPARROW TRAP
(MODIFIED W.T. DESIGN - ABOUT HALF-SIZED)

DIMENSIONS IN CM.



ADVANTAGES

- SMALLER SIZE - EASIER TO MOVE / STORE. STURDIER.
- WITH MESH FLOOR - CAN BE USED ON UNEVEN GROUND.
- SLIDE DOOR - QUICK EASY WAY TO RELEASE BY-CATCH BIRDS UNHARMED.
- FLY-WAY OVER THE SOLID Y - MUCH LESS TRAFFIC ALONG BOTTOM OF TRAP PAST ENTRY.
- FLAT "LID" OVER Y - INSTEAD OF CONSTANTLY FLUTTERING TO ESCAPE, TRAPPED BIRDS STAND OR HOP ALONG ON THIS PLATFORM WITHIN THE TRAP, EXHIBITING NORMAL BEHAVIOR TO BIRDS OUTSIDE.
- TRAPPED BIRDS ARE NOT KILLED IN THE TRAP, BUT REMOVED VIA THE SLIDE DOOR INTO A SMALL MESH CAGE FOR HUMANE SUFFOCATION.

NOTE: GLENLOCHY IS A "LAND FOR WILDLIFE" PROPERTY, AND HAS NO CATS OR DOGS.